

Data sheet

Part number : ZEUBE265-2BA-TR



Package	Wide distribution angle, high power type Deep-UV LED (UVC) Peak wavelength 265nm Outer dimension 3.6 x 3.6 x 2.24mm (L x W x H)
Product features	<ul style="list-style-type: none"> • Total power : 30mW (TYP.) @ IF = 440mA • Operating temperature : -30 to +85 deg. • High reliability hermetic sealing package for reducing influence of humidity and the out gas • Lead-free soldering compliant • RoHS2 compliant

Recommended applications

Water/liquids : House water purifier, humidifier (water tank part)
 Object surface : Storehouse, bio/medical equipment
 Inspection light sources : Image inspection light, water quality sensor
 Air : Air purifier, air conditioner etc.

CAUTION

Risk group "3" product in IEC62471.(Photo biological Safety of Lamps and Lamp Systems Standard)

Since the V_F is higher than that of visible light LEDs, if proper heat dissipation design is not done, even within the rated current, heat generation exceeding rated T_j may occur.

It is recommended to select the board size and material according to the usage conditions and to use a heat sink.



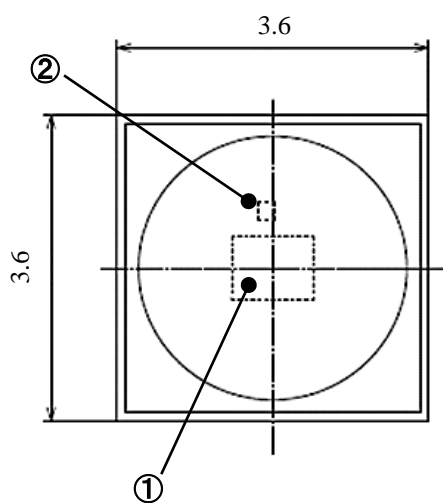
WARNING

- **UV LEDs emit high intensity UV (ultraviolet) light.**
- **Do not look directly into the UV light source ; this can be harmful to your eyes and skin.**
- **Wear protective eyewear to avoid exposure to UV light, as well as protective masks and gloves, etc. in order not to expose your skin to the light.**
- **Attach warning labels to your products which contain UV LEDs.**
- **keep out of reach of children.**

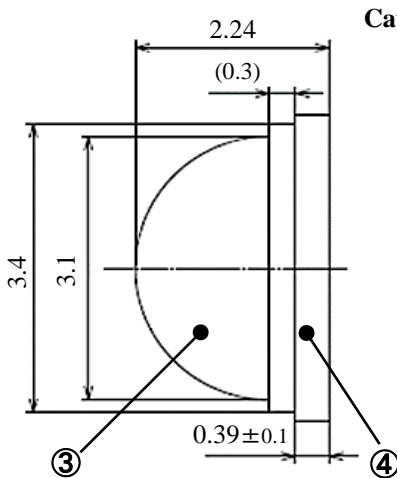
Outline dimensions

ZEUBE265-2BA-TR

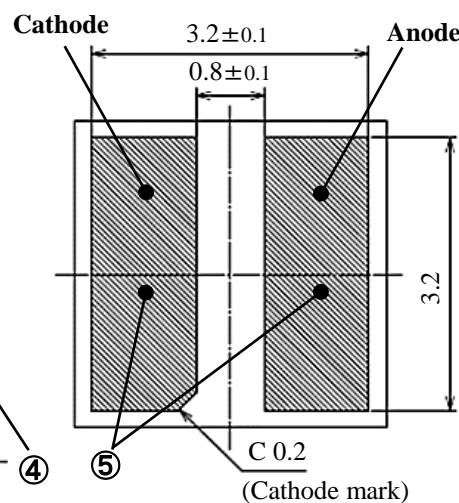
Unit : mm
 Weight : 40mg
 Tolerance : ±0.2



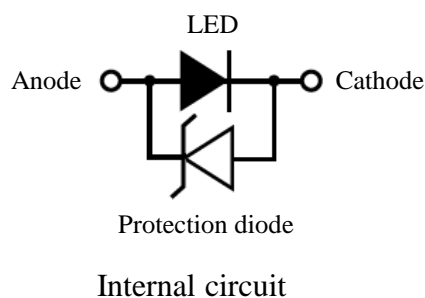
Top view



Side view

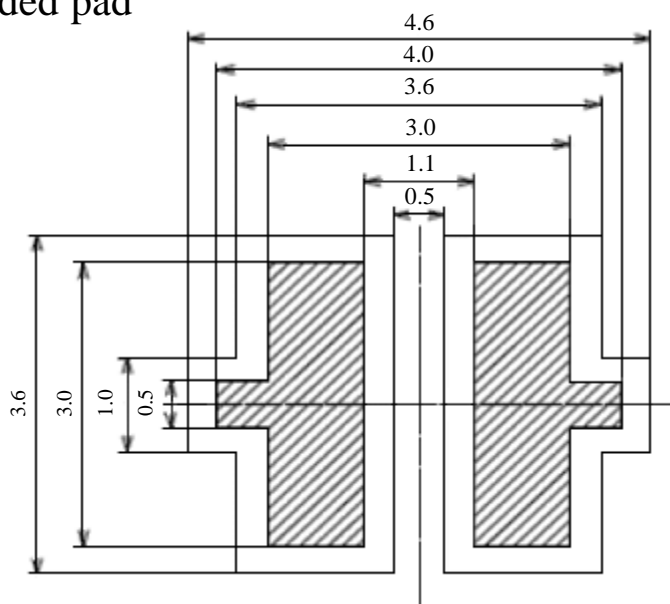


Back view



No.	Part name	Materials	Qty.
①	LED die	AlGaIn / AlN	1
②	Protection diode	Si	1
③	Sealing glass	Silica glass	1
④	Substrate	Ceramic	1
⑤	Electrode	Au plating	Anode : 1 Cathode : 1

Recommended pad



Unit : mm
 Tolerance : ±0.2

□ Recommended pad
 ▨ Recommended stencil pattern

Specifications

【 Product overview 】

Die material	AlGaN/AlN
Emitting color	Ultra violet

【 Absolute maximum ratings 】

Item	Symbol	Maximum ratings	Units	
Power dissipation	P_d	4.6	W	
Forward current	I_F	100 to 500	mA	
Repetitive peak forward current (1ms, 1/10duty)	I_{FRM}	650	mA	
Forward current reduction rate from "Ta=54.5°C"	ΔI_F	11.0	mA/°C	
Repetitive peak forward current reduction rate from "Ta=54.5°C"	ΔI_{FRM}	14.3	mA/°C	
Operating temperature	T_{opr}	-30 to +85	°C	Note 1
Storage temperature	T_{stg}	-40 to +100	°C	Note 1
Electrostatic discharge threshold "HBM"	V_{ESD}	2	kV	Note 2
Junction temperature	T_j	100	°C	
Peak temperature of reflow soldering	T_{sld}	260	°C	Note 3

Note 1 The ranges of operating and storage temperature are not applied to taping condition.

Note 2 ESD testing method : EIAJ4701/300(304) Human Body Model (HBM) 1.5kΩ,100pF

Note 3 Please refer to page.8 "Soldering Conditions".

【 Thermal characteristics 】

(Ta=25°C)

Item	Symbol	Typ.	Max.	Units
Thermal resistance (Junction - Soldering point)	$R_{th(j-s)}$	6.0	7.5	°C/W

Specifications

【 Electro-Optical characteristics 】

(Ta=25°C)

Item	Symbol	Conditions	Min.	Typ.	Max.	Units	
Total power	P _o	I _F = 440mA	20	30	40	mW	Note 4
Peak wavelength	λ _p	I _F = 440mA	259	265	269	nm	Note 5
Spectral half width	Δλ	I _F = 440mA	-	11	-	nm	
Half intensity angle	2θ _{1/2}	I _F = 440mA	-	120	-	deg.	
Forward voltage	V _F	I _F = 440mA	5.9	6.9	8.0	V	Note 6

Note 4 Total Power is measured by integrating sphere, and the Tolerance is ±10%.

Note 5 Peak Wavelength Tolerance is ±3nm.

Note 6 Forward Voltage Tolerance is ±3%.

【 Sorting chart for total power 】

LEDs shall be sorted out "Total power" into the following chart and each rank parts shall be packed separately when shipping.

Rank	Total power (mW)		Conditions
	Min.	Max.	
BA	20	30	I _F = 440mA Ta = 25°C
BB	30	40	

Note Tolerance : ±10%

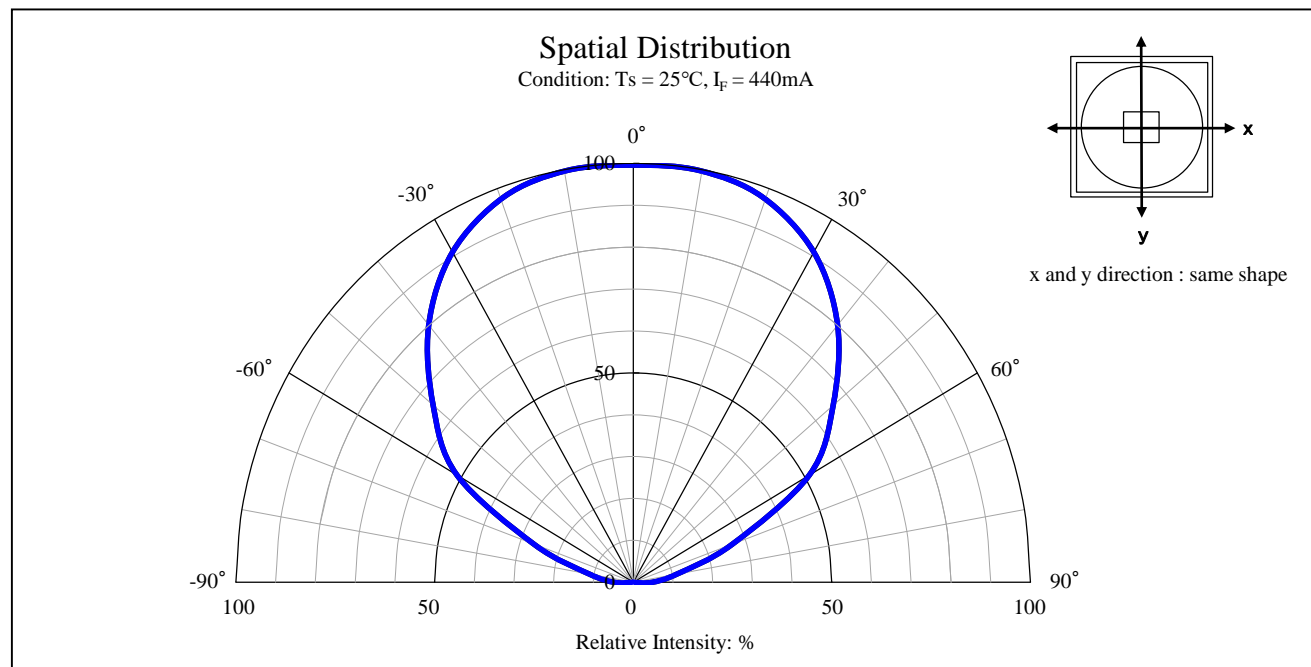
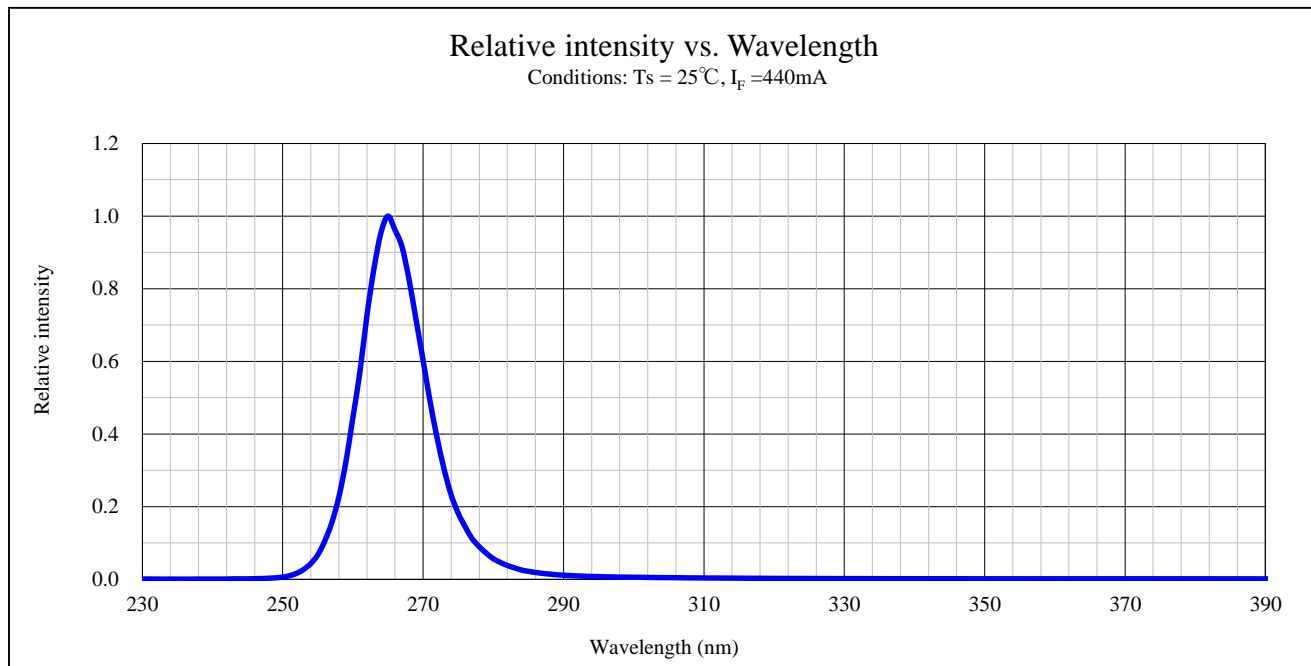
【 Sorting chart for wavelength 】

LEDs shall be sorted out "Wavelength" into the following chart and each rank parts shall be packed separately when shipping.

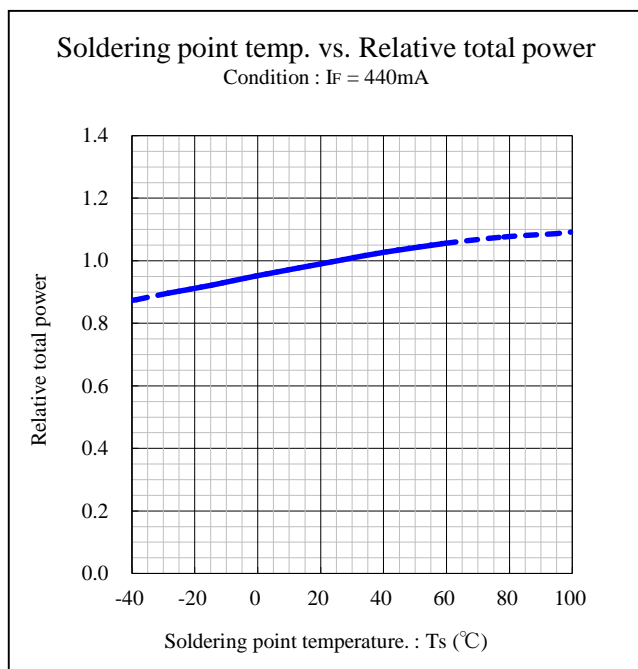
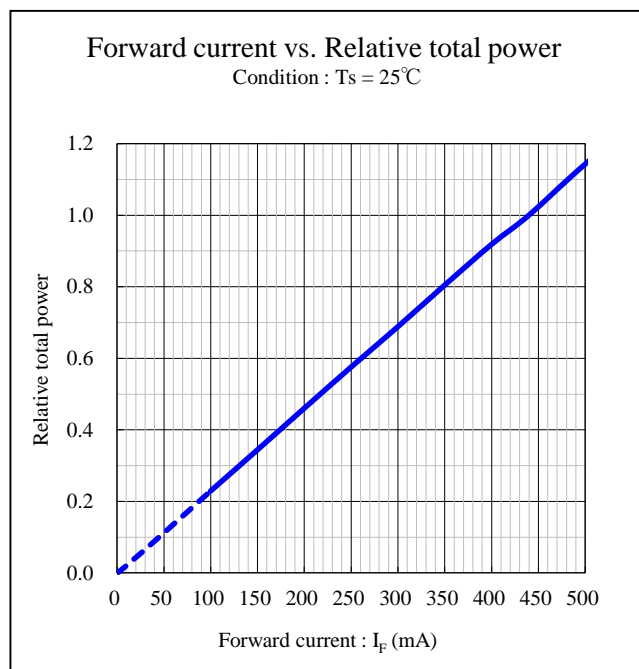
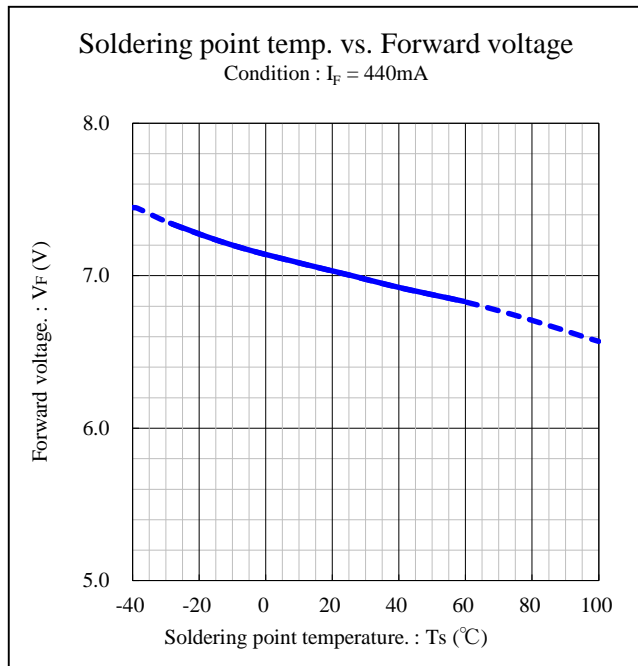
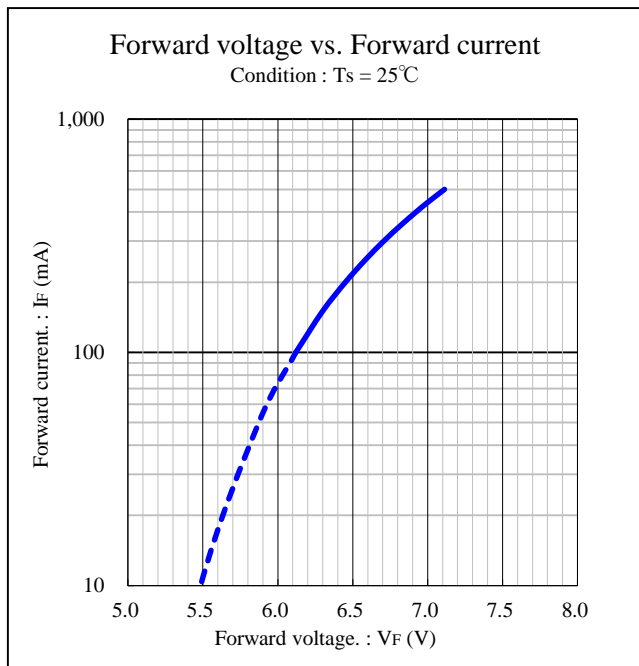
Rank	Wavelength (nm)		Conditions
	Min.	Max.	
A	259	264	I _F = 440mA Ta = 25°C
B	264	269	

Note Tolerance : ±3nm

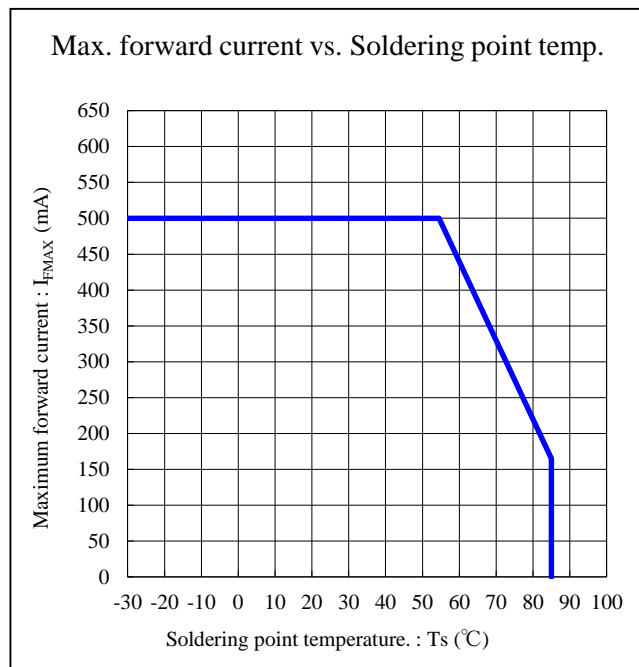
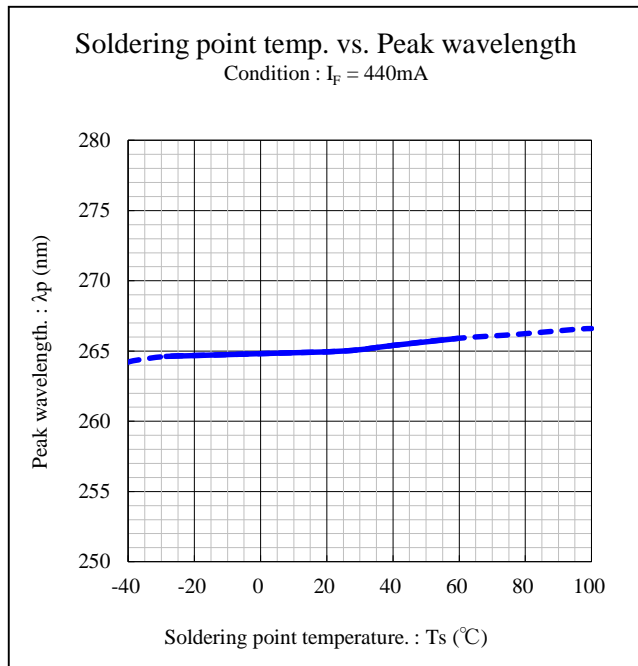
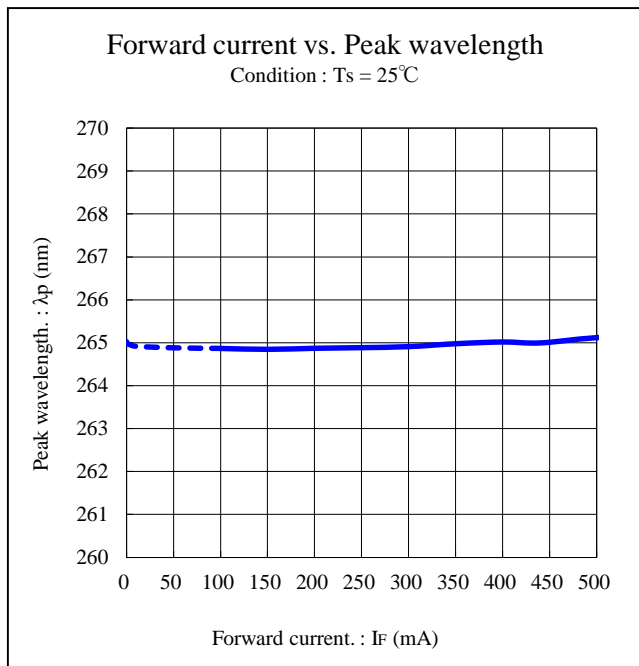
Technical data



Technical data



Technical data



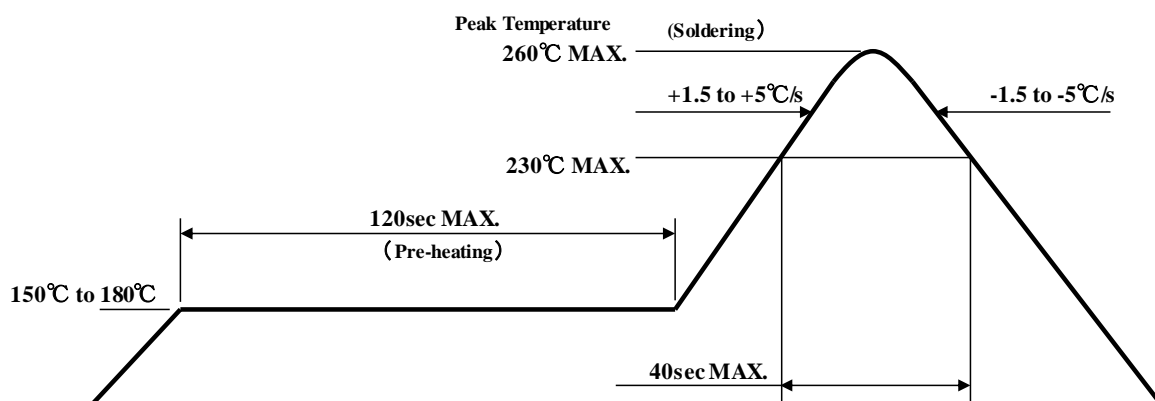
Soldering condition

【Soldering Precaution】

(acc.to EIAJ-4701/300)

- Heat stress during soldering will influence the reliability of LEDs, however that effect will vary on heating method. Also, if components of varying shape are soldered together, it is recommended to set the soldering pad temperature according to the component most vulnerable to heat (e.g., surface mount LED).
- LED parts including the resin are not stable immediately after soldering (when they are not at room temperature), any mechanical stress may cause damage to the product. Please avoid such stress after soldering, especially stacking of the boards which may cause the boards to warp and any other types of friction with hard materials.
- Recommended temperature profile for the Reflow soldering is listed as the temperature of the resin surface. Temperature distribution varies on heating method, PCB material, other components in the assembly, and mounting density.
Typically, when FR-4 PCB is mounted with one LED and heated via far infrared and hot air, the difference in temperature between PCB and LED resin will be around 5 to 10°C.
Please do not repeat the heating process in Reflow process more than twice.

【Recommended reflow soldering condition】



- Note 1 Temperature Profile for the reflow should be set to the surface temperature of resin which is on the top of LED. This should be the maximum temperature for soldering. Lowering the heating temperature and decreasing heating time is very effective in achieving higher reliability.
- Note 2 The reflow soldering process should be done up to twice (2 times Max). When second process is performed, interval between first and second process should be as short as possible to prevent absorption of moisture to resin of LED. The second soldering process should not be done until LEDs have returned to room temperature (by nature-cooling) after first soldering process.

Soldering condition

4. When using a metal PCB, the solder may crack and problems may occur due to major stress on the soldered portion caused by thermal shock. Please carry out a thorough advance verification before use. For the metal PCB's insulation, it is recommended to use stress-reducing materials.
5. Manual soldering and flow soldering (dip soldering) are not recommended for this product.
6. Isopropyl alcohol is recommended for cleaning. Some chemicals, including Freon substitute detergent could corrode the lens or the casing surface, which cause discoloration, cloud, crack and so on. Please review the reference chart below for cleaning. If water is used to clean (including the final cleaning process), please use pure water (not tap water), and completely dry the component. Cleaning with ultrasonic is not recommended.

Cleaning agents	Recommended / Not recommended
Isopropyl alcohol	✓ Recommended
Ethyl alcohol	✓ Recommended
Pure water	✓ Recommended
Trichloroethylene	x Not recommended
Chloroethene	x Not recommended
Acetone	x Not recommended
Thinner	x Not recommended

Handling precaution

【For Electric Static Discharge (ESD)】

This type of LED lamp is highly sensitive to surge voltage generated by the On/Off status change and discharges of static electricity through frictions with synthetic materials, which may cause severe damage to the die or undermine its reliability. Damaged products may experience conditions such as extremely high reverse voltage, or a decrease of forward rise voltage, deteriorating its optical characteristic. Stanley products are packed with anti-static components. However, the following precautions and measures are vital in ensuring product quality during shipment.

1. Electrification/Static electricity protection

Stanley recommends the following precautions in order to avoid product (die) damage from static electricity, when an operator and other materials electrified by friction coming in contact with the product.

- ① Do not place electrified non-conductive materials near the LED product.
Avoid LED products from coming into contact with metallic materials.(Should the metallic material be electrified, the sudden surge voltage will most likely damage the product.)
- ② Avoid a working process which may cause the LED product to rub against other materials.
- ③ Install ground wires for any equipment, where they can be installed, with measures to avoid static electricity surges.
- ④ Prepare a ESD protective area by placing a Conductive Mattress (1MΩ MAX.) and Ionizer to remove any static electricity.
- ⑤ Operators should wear a protective wrist-strap.
- ⑥ Operators should wear conductive work-clothes and shoes.
- ⑦ To handle the products directly, Stanley recommends the use of ceramic, and not metallic, tweezers.

2. Working environment

- ① A dry environment is more likely to cause static electricity. Although a dry environment is ideal for storage state of LED products, Stanley recommends an environment with approximately 50% humidity after the soldering process.
- ② Recommended static electricity level in the working environment is 150V, which is the same value as Integrated Circuits (which are sensitive to static electricity).

Handling precaution

【Other precautions】

1. Stanley LED Lamps have semiconductor characteristics and are designed to ensure high reliability. However, the performance may vary depending on usage conditions.
2. Absolute Maximum Ratings are set to prevent LED lamps from failing due to excess stress(temperature, current, voltage, etc.). Usage conditions must not exceed the ratings for a moment, nor do reach one item of absolute maximum ratings simultaneously.
3. In order to ensure high reliability from LED Lamps, variable factors that arise in actual usage conditions should be taken into account for designing. (Derating of TYP., MAX Forward Voltage, etc.)
4. Please insert Straight Protective Resistors into the circuit in order to stabilize LED operation and to prevent the device from igniting due to excess current.
5. Please avoid to using the products with materials and products that contain sulfur and chlorine elements because the reliability may be decreased. Please keep in desiccator before and after mounting, to prevent the products from being affected by corrosive gas. Also please make sure there isn't any gas in the surrounding area or entering from outside when using the products.
6. Please check the actual life time performance in the assembly at your company because the Specification Sheets are described for one single LED.
7. When there is a process of supersonic wave welding etc. after mounting the product, there is a possibility of affecting on the reliability of junction part in package (junction part of die bonding and wire bonding). Please make sure there is no problem before using.
8. The products are designed to perform without failure in the recommended usage conditions. However, please take the necessary precautions to prevent fire, injury, and other damage from these unexpected failures.
9. The products are manufactured to be used for ordinary electronic equipment. Please contact our sales staff in advance when exceptional quality and reliability are required, when the failure or malfunction of the products might directly jeopardize life or health (such as for airplanes, aerospace, medical applications, nuclear reactor control systems and so on).
10. Please avoid overload to the product when using tweezers to pick up LEDs. Overload might cause deformation, disconnection, chip-outs and consequently lead to lighting failure. Tweezers with flat tips is recommended, please avoid using tweezers with sharp tips.
11. Pay attention to handling and storage of LEDs even after mounting, because overload caused by stacking PCBs and shock due to dropping and crashing might also lead to deformation, disconnection, and chip-outs.
12. In the processes of water pressure during cleaning, air pressure, drying and other processes after mounting, overload to glass should be avoided.
13. The edge of glass is sharp. Please do not handle the LEDs with hands directly to avoid injury. Also, please do not touch the glass surface, the contamination of glass can affect the optical characteristics.
14. Please adjust the load, the pick up point, the nozzle diameter and etc. before mounting because the over load can cause the breakage of the glass. (Recommend load condition : Less than 5N)

Handling precaution

【Other precautions】

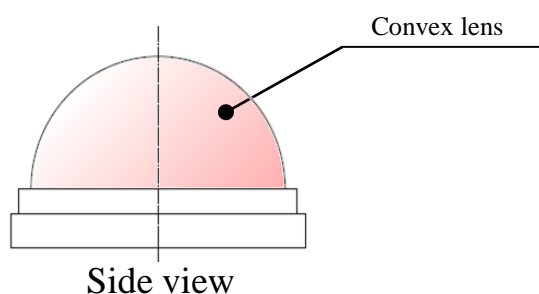
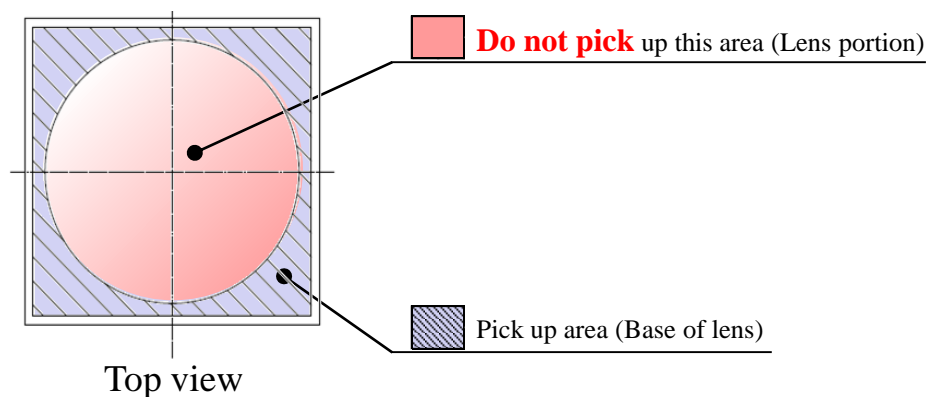
15. This product belongs to **risk group "3"** in the Photobiological Safety of Lamps and Lamp Systems Standard (IEC62471), which indicates potential risk of damage to eyes and skin due to ultraviolet radiations.
Risk group 3 is classified as "high" concerning potential hazards to the human body; it is the highest risk group "that causes damage even from temporary or short exposure to ultraviolet radiations". Safety precautions are required.
16. This product emits strong ultraviolet rays when it is lit up.
Please do not look directly into the light source, for it could damage your eyes.
Should it be necessary to observe the product while it is being lit, **always use protective glasses that cut ultraviolet rays, as well as protective masks and gloves, etc. in order not to expose your skin to the light.**
Please also take sufficient safety measures against light leakage, etc., in order to avoid any influence on the human body.
17. This product generates heat when it is lit up. Since there is a risk of adverse effects on the human body and surrounding parts, please take sufficient safety measures against smoke, ignition and deterioration of parts.
18. Attach caution labels to your products which contain UV LEDs.
19. Keep out of reach of children.
20. The formal specification sheets should be exchanged and signed by both parties.

Handling precaution

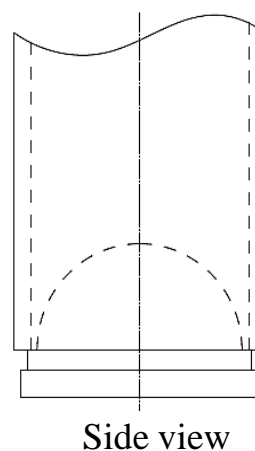
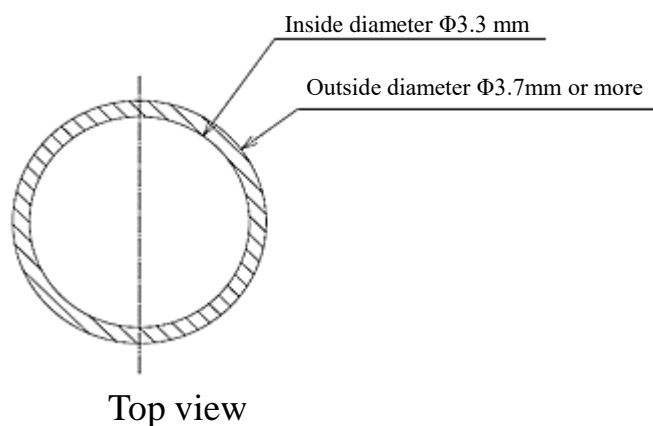
【Handling precautions for product mounting】

< Recommended conditions >

1. Pick up point : Base of lens of LED. (Shown below)
Please pick up the lens base area only due to because the lens is made of quartz glass.
Nozzle contact with the part except the lens base area may cause damage to the lens.



2. Load : **Less than 5N**
3. Nozzle should be used that a diameter inside is $\phi 3.3$ mm and outside is $\phi 3.7$ mm and more.
Please adjust the load, the pick up point, the nozzle diameter and etc. before mounting because the over load can cause the breakage of the lens.



Packaging specifications

This product is shipped in moisture-proof packaging (as shown below) to minimize moisture absorption during shipping. However, in regards to storing the products, the use of dry-box under the following conditions is recommended. Moisture-proof bag as the packaging is made of anti-static material but packaging box is not.

【Recommended storage condition / Products warranty period】

Temperature	+5 to 30°C
Humidity	Under 60%rh

In the case of the package unopened, **6 months under 【 Recommended storage condition 】**. Please avoid rapid transition from low temp. condition to high temp. condition and storage in corroding and dusty environment.

【Time elapsed after package opening】

This product is **equivalent to IPC/JEDEC J-STD-020D MSL 2a.** (672h = 4 weeks)

The package should not be opened until immediately prior to its use.

If any components should remain after their use, please seal the package and store them under the conditions described in the above **【 Recommended storage condition 】**.

Baking process should be performed after putting out from package.

Please keep the time frame between package opening and soldering which is **【maximum 672h.】**

Baking conditions: **10h(min.), at +60°C ±5°C** just before use

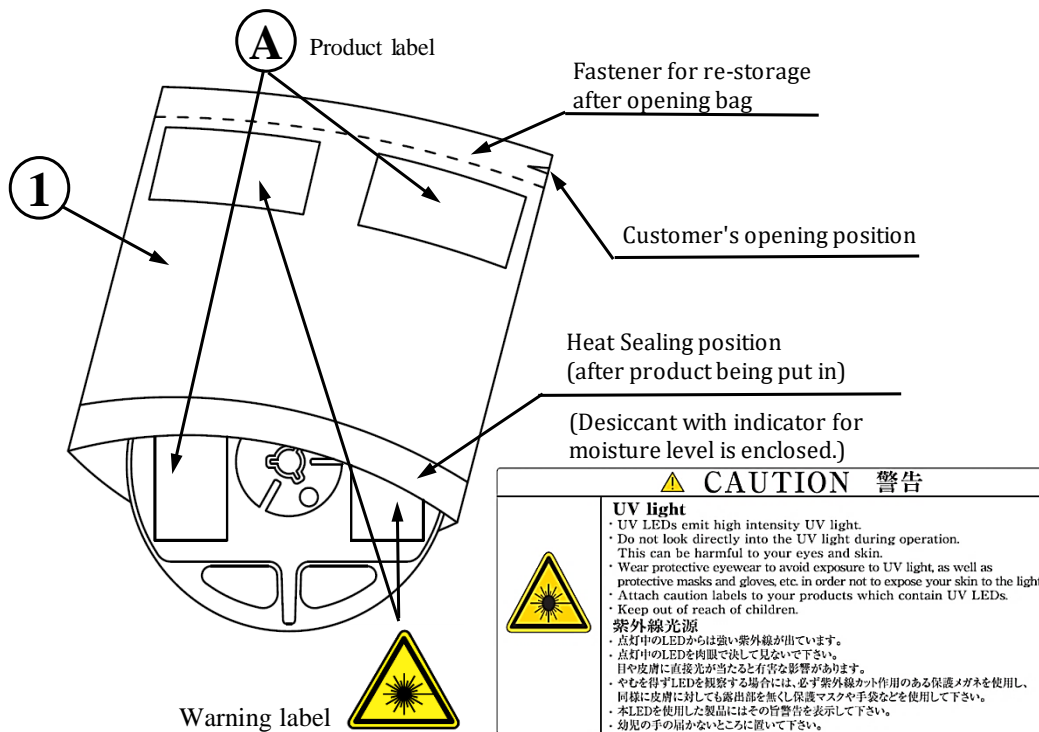
Baking may be performed in the tape-reel form, however if it is performed with the reel stacked over one another, it may cause deformation of the reels and taping materials, which may cause problems during production. Please make sure that the product has cooled to normal temperature after performing the baking process. Provided that, baking process shall be 2 times Max.

【Products warrant period】

In the case of the package unopened, 6 months under **【 Recommended Storage Condition 】**. Please avoid rapid transition from low temp. condition to high temp. condition.

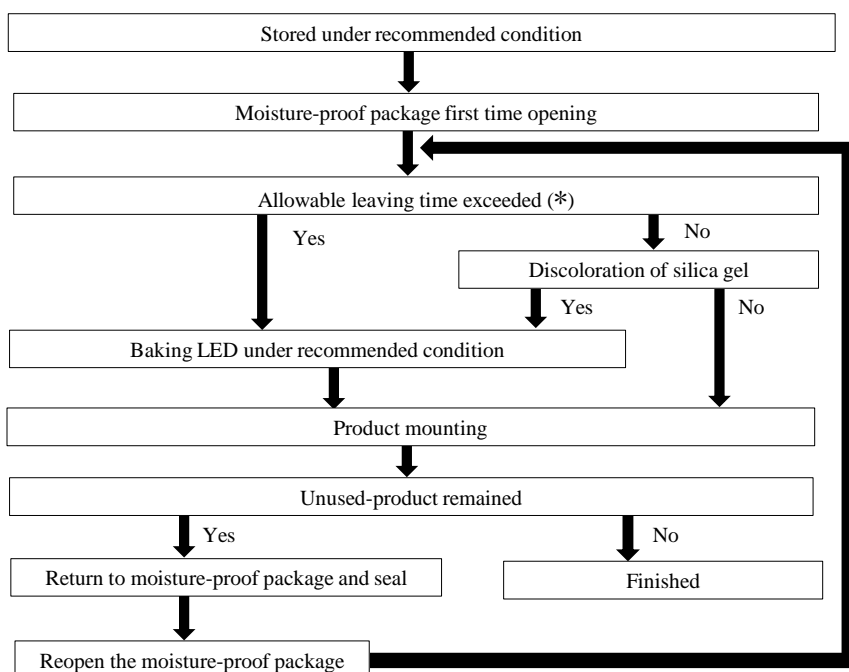
Packaging specifications

【Moisture-proof packaging specification】



No.	Part name	Material	Remarks
①	Moisture-proof bag with aluminum layer	PET+Al+PE	with ESD protection

【Flow chart-package opening to mounting】



Allowable leaving time means the maximum allowable leaving time after opening package, which depends on each LED type.

The allowable leaving time should be calculated from the first opening of package to the time when soldering process is finished.

When judging if the allowable leaving time has exceeded or not, please subtract the soldering time after reopening should be calculated from the first opening of package, or from the time when baking process is finished.

Packaging specifications

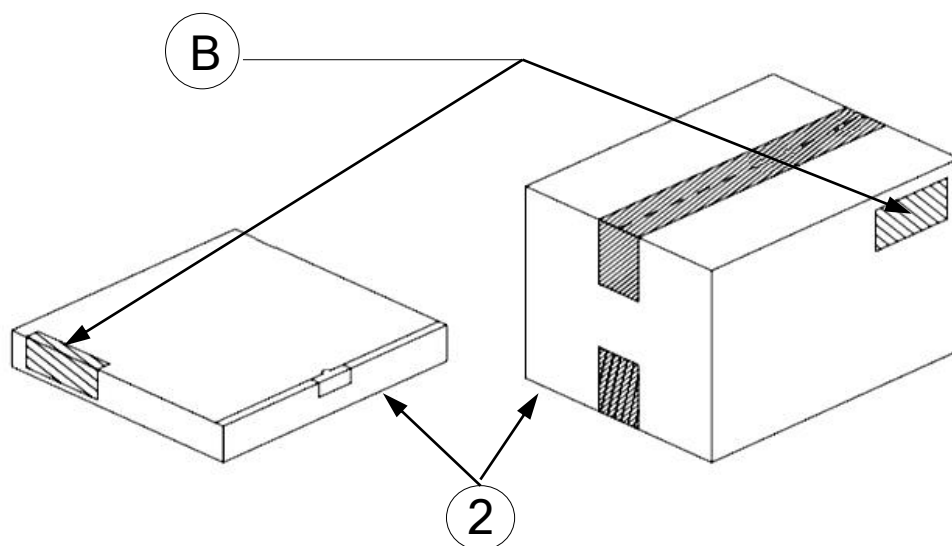
【Packing box】

(RoHS2 / ELV Compliant)

Box type	Outline dimension L x W x H (mm)	Capacity of the box
Type A	280 x 265 x 45 (mm)	2 reels
Type B	310 x 235 x 265 (mm)	10 reels
Type C	440 x 310 x 265 (mm)	20 reels

The above measures are all the reference values.

The box is selected out of the above table by shipping quantity.



Type A

Material / box : Cardboard C5BF

Type B,C

Material / box : Cardboard K5AF

Partition : Cardboard K5AF

NO.	PART NAME	MATERIAL	REMARKS
②	Packing box	Corrugated cardboard	without ESD protection

Packaging specifications

【Label specification】

(acc.to JIS-X0503(Code-39))

A Product label

STANLEY - STANLEY ELECTRIC CO., LTD. -

A []

B []

([] C [])

D [] PCS

E []

Lot No. [] F []

G []

- A. Parts number
- B. Bar-code for parts number
- C. Parts code (In-house identification code for each parts number)
- D. Packed parts quantity
- E. Bar-code for packed parts quantity
- F. Lot number & rank
(refer to Lot number notational system for details)
- G. Bar-code for lot number & rank

B Opto device label

STANLEY OPTO DEVICES

A [] 御中

B [] D []

([] C [])

Q'TY [] E [] PCS [] G []

C/NO [] F []

H []

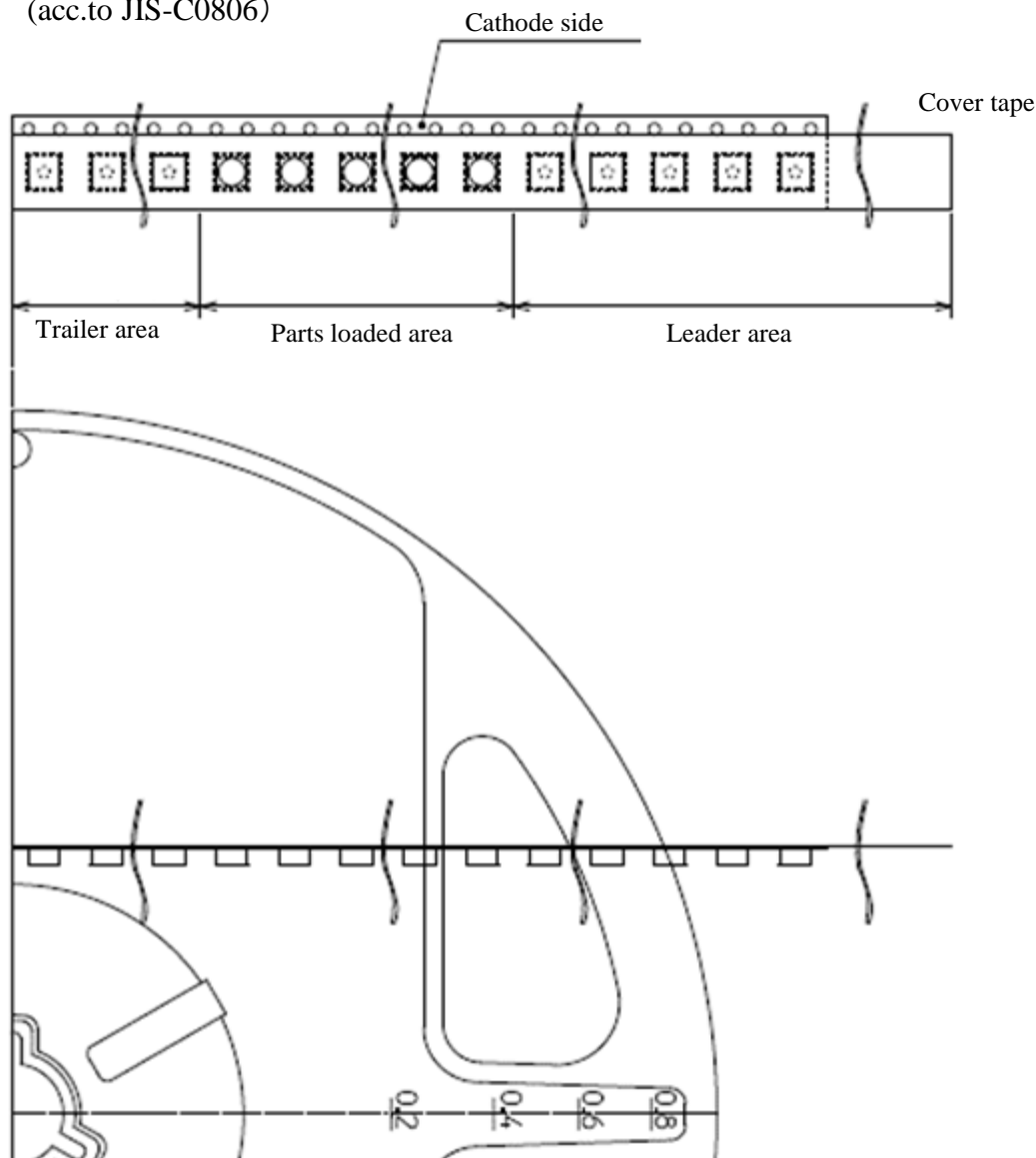
STANLEY ELECTRIC CO.,LTD.

- A. Customer name
- B. Parts type
- C. Parts code
- D. Parts number
- E. Packed parts quantity
- F. Carton number
- G. Shipping date
- H. Bar-code for In-house identification number

<Remarks> Bar-code font : acc.to Code-39(JIS-X0503)

Taping and reel specifications

【Appearance】
(acc.to JIS-C0806)



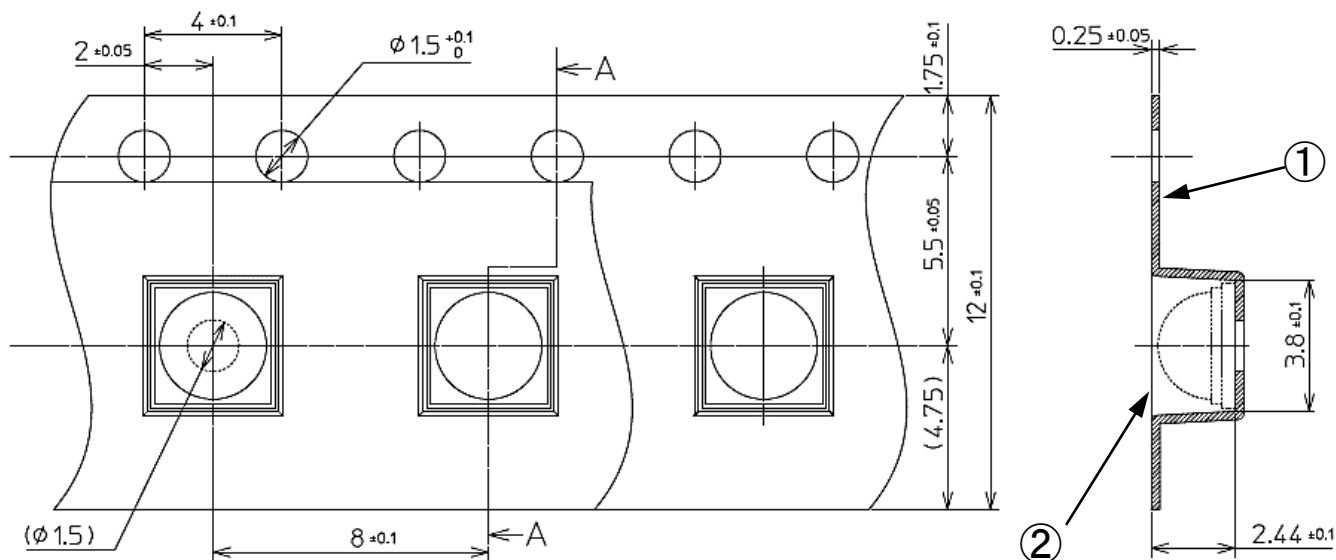
Note

"-TR" means Cathode Side of LEDs should be placed on the sprocket-hole side.

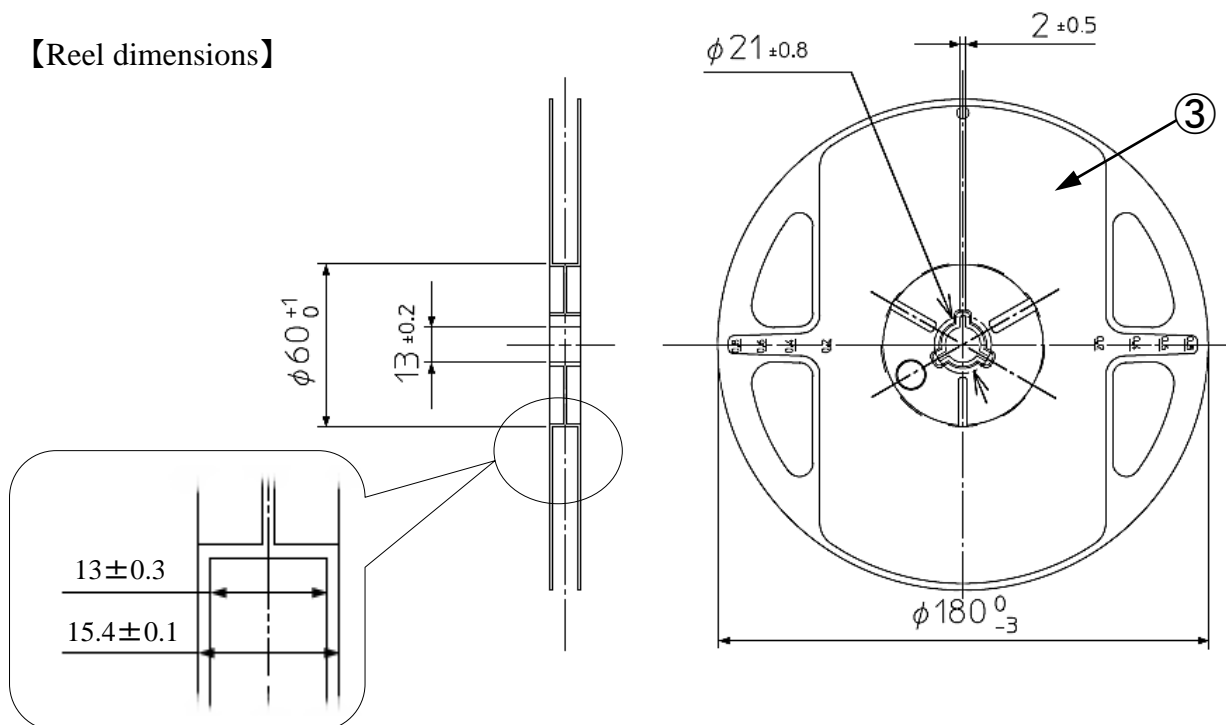
Items		Specifications	Remarks
Leader area	Cover-tape	Cover-tape shall be longer than 300mm without carrier-tape.	The end of cover-tape shall be held with adhesive tape.
	Carrier-tape	Empty pocket shall be more than 13 pieces. (longer than 100mm)	Please refer to the above figure for Taping & reel orientation .
Trailer area		Empty pocket shall be more than 20 pieces. (longer than 160mm)	The end of taping shall be inserted into a slit of the hub.

Taping and reel specifications

【Taping dimensions】 (acc.to JIS-C0806)



【Reel dimensions】



NO.	Part name	Remarks
①	Carrier tape	with ESD protection
②	Cover tape	with ESD protection
③	Carrier reel	with ESD protection

Taping and reel specifications

(acc.to JIS-C0806-03)

【Qty. per reel】

100parts/reel

Minimum Qty. per reel might be 50 parts when getting less than 100 parts.

In such case, parts of 50-unit-qty. shall be packed in a reel and the qty. shall be identified on the label.

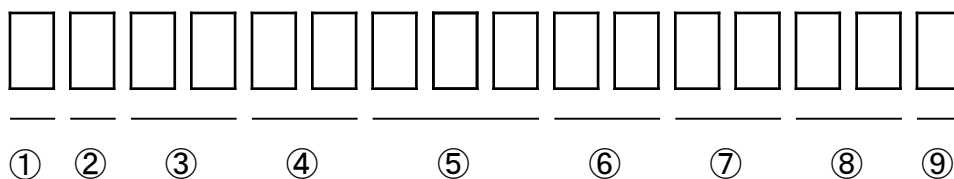
【Mechanical strength】

Cover-tape adhesive strength shall be 0.1~1.3N (an angle between carrier-tape and cover-tape shall be170 deg.) Both tapes shall be so sealed that the contained parts will not come out from the tape when it is bent at a radius of 15mm.

【Others】

Reversed-orientation, Up-side down placing, side placing and out of spec. parts mixing shall not be held.
Empty pocket per reel is assumed until 1 piece.

Lot number notational system



- ① - 1digit : Production location (mark identify alphabet)
- ② - 1digit : Production year (The last digit of production year 2024→4, 2025→5, 2026→6, 2027→7 …)
- ③ - 2digits : Production month (Jan. to Sep. , should be 01,02,03 …)
- ④ - 2digits : Production date
- ⑤ - 3digits : Serial number
- ⑥ - 2digits : Tape and reel following number
- ⑦ - 2digits : Total power rank.
 (If total power rank is 1 digit, "-" shall be dashed on the place for the second digit.
 If there is no identified rank, "- -" is used to indicate.)
- ⑧ - 2digits : Wavelength rank
 (If wavelength rank is 1 digit, "-" shall be dashed on the place for the second digit.
 If there is no identified rank, "- -" is used to indicate.)
- ⑨ - 1digit : VF Rank (If rank is not defined, "-" is described.)

Correspondence to RoHS2 / ELV instruction

ZEUBE265-2BA-TR

This product is in compliance with RoHS2 / ELV.

Prohibition substance and its criteria value of RoHS2 / ELV are as follows.

- RoHS2 instruction ... Refer to following 1 to 10.
- ELV instruction ... Refer to following 1 to 4.

No.	Substances	Threshold
1	Lead and its compounds	0.1% (1,000ppm)
2	Mercury and its compounds	0.1% (1,000ppm)
3	Cadmium and its compounds	0.01% (100ppm)
4	Hexavalent chromium compounds	0.1% (1,000ppm)
5	PBB : Polybrominated Biphenyls	0.1% (1,000ppm)
6	PBDE : Polybrominated Biphenyl Ethers	0.1% (1,000ppm)
7	DEHP : Bis (2-ethylhexyl) phthalate	0.1% (1,000ppm)
8	BBP : Butyl benzyl phthalate	0.1% (1,000ppm)
9	DBP : Dibutyl phthalate	0.1% (1,000ppm)
10	DIBP : Diisobutyl phthalate	0.1% (1,000ppm)

Reliability testing result

1. Reliability testing result

Test item	Standard	Test condition	Duration	Failure
Room temperature operating life	EIAJ ED-4701 /100(101)	Ta=25°C I _F =450mA	1,000h	0 / 10
High temperature operating life	EIAJ ED-4701 /100(101)	Ta=60°C I _F =450mA	1,000h	0 / 10
Low temperature operating life	EIAJ ED-4701 /100(101)	Ta=-30°C I _F =450mA	1,000h	0 / 10
Wet high temperature operating life	EIAJ ED-4701 /100(102)	Ta=60°C 90% I _F =450mA	1,000h	0 / 10
High temperature storage life	EIAJ ED-4701 /200(201)	Ta=100°C	1,000h	0 / 10
Low temperature storage life	EIAJ ED-4701 /200(202)	Ta=-30°C	1,000h	0 / 10
Thermal shock	EIAJ ED-4701 /100(105)	Ta=-30°C to 100°C (each 15min)	200 cycles	0 / 10
Resistance to reflow soldering	EIAJ ED-4701 /300(301)	Moisture soak : 30°C 60% 4Week Preheating : 150 to 180°C 90 to 120sec Soldering : 260°C Peak	2 times	0 / 10
Electrostatic discharge (ESD)	EIAJ ED-4701 /300(304)	C=100pF R2=1.5kΩ ±2,000V	3 times of each polarity	0 / 10

※ Test condition : T_j=70°C

2. Failure criteria

Item	Symbol	Condition	Failure Criteria
Total power	P _O	I _F =440mA	Testing Min. Value < Standard Min. Value × 0.5
Forward voltage	V _F	I _F =440mA	Testing Max. Value ≥ Standard Max. Value × 1.1
Cosmetic appearance	-	-	Notable, discoloration, deformation and cracking

Special notice to customers using the products and technical information shown in this data sheet

- 1) The technical information shown in the data sheets are limited to the typical characteristics and circuit examples of the referenced products. It does not constitute the warranting of industrial property nor the granting of any license.
- 2) For the purpose of product improvement, the specifications, characteristics and technical data described in the data sheets are subject to change without prior notice. Therefore it is recommended that the most updated specifications be used in your design.
- 3) When using the products described in the data sheets, please adhere to the maximum ratings for operating voltage, heat dissipation characteristics, and other precautions for use. We are not responsible for any damage which may occur if these specifications are exceeded.
- 4) The products that have been described to this catalog are manufactured so that they will be used for the electrical instrument of the benchmark (OA equipment, telecommunications equipment, AV machine, home appliance and measuring instrument).
The application of aircrafts, space borne application, medical equipment and nuclear power control equipment, etc. needs a high reliability and safety, and the breakdown and the wrong operation might influence the life or the human body. Please consult us beforehand if you plan to use our product for the usages of aircrafts, space borne application, transportation equipment, medical equipment and nuclear power control equipment, etc. except OA equipment, telecommunications equipment, AV machine, home appliance and measuring instrument.
- 5) In order to export the products or technologies described in this data sheet which are under the "Foreign Exchange and Foreign Trade Control Law," it is necessary to first obtain an export permit from the Japanese government.
- 6) No part of this data sheet may be reprinted or reproduced without prior written permission from Stanley Electric Co., Ltd.
- 7) The most updated edition of this data sheet can be obtained from the address below:
<http://www.stanley-components.com/en/>



WARNING

- **UV LEDs emit high intensity UV (ultraviolet) light.**
- **Do not look directly into the UV light source ; this can be harmful to your eyes and skin.**
- **Wear protective eyewear to avoid exposure to UV light, as well as protective masks and gloves, etc. in order not to expose your skin to the light.**
- **Attach warning labels to your products which contain UV LEDs.**
- **keep out of reach of children.**