

White LED 2watt Class High Reliability LED GBHW1106ASE- -TR



L3.5 x W3.5 x H1.68 mm



Product Name

· GBHW1106ASE- -TR

Features

- Environment resistance of "High Reliability", sulfide free.
- It surpasses the performance of competitors products in actual use under high temperature.
- Amount of color change of light caused by temperature change is small low when actually using it.
- It is easy to replace from competition.

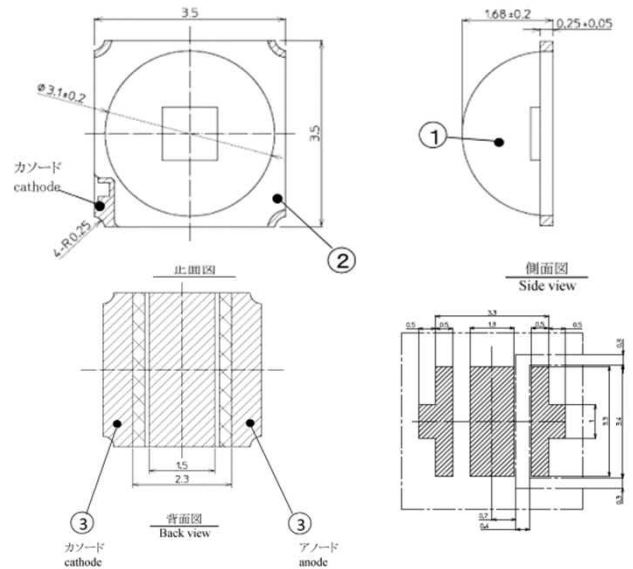
Basic Specifications

CT 5,000K, CRI (Ra) 70

Electro-Optical Characteristics		
Luminous Flex	IF=350mA	149lm
Efficiency	IF=350mA	147lm/W
Forward Voltage	IF=350mA	2.9V
Thermal Resistance (Junction-Solder point)	-	8 /W

Absolute Maximum Ratings	
Forward Current	1,000mA
Operating Temp.	-30 ~ +85
Storage Temp.	-30 ~ +100
Junction Temp.	150

Package Dimensions



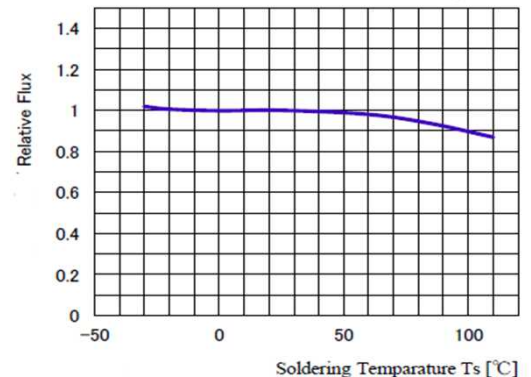
Characteristics when actually using it.

CT 5,000K, CRI (Ra) 70

	Actual Condition	
	350mA(Ts85)	700mA(Ts85)
Luminous Flex	137lm	241lm
Efficiency	140lm/W	111lm/W

Soldering Temperature vs. Relative Flux

Condition: $I_f=350mA$



Line up

CT	CRI	Parts Name	Status
2700K	70	GHBW1106ASE-27X	Under development
4000K	70	GHBW1106ASE-40X	Under development
	85	GHBW1106ASE-40Y	Under development
5000K	70	GHBW1106ASE-50X	Under development

*Performance and specification may revised without prior notice, in accordance to meet the engineering development. It is recommended to confirm the most updated specification before designing.

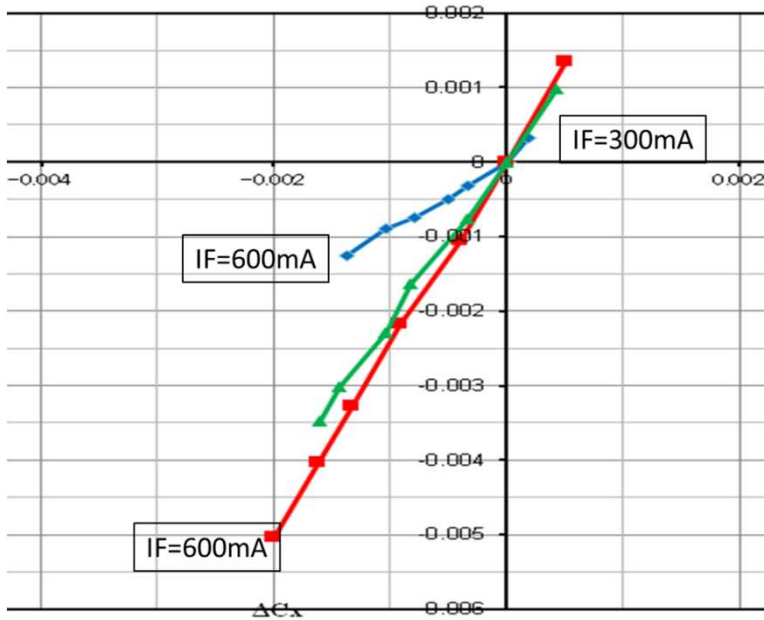
Updated Feb 2016

Application

· Outdoor Lighting

	Street light	Tunnel light	Floodlight Stadium	Street light (Pavement)
Market needs matching	Fit for hard outdoor condition <input checked="" type="checkbox"/>	Fit for hard outdoor condition <input checked="" type="checkbox"/>	Colour rendering <input checked="" type="checkbox"/>	Color variation <input checked="" type="checkbox"/>
	Lens matching <input checked="" type="checkbox"/>	Long life <input checked="" type="checkbox"/>	Lens matching <input checked="" type="checkbox"/>	Low color temperature <input checked="" type="checkbox"/>
			Big luminous flux <input checked="" type="checkbox"/>	

The color shift other companies product comparison



Amount of color shift of light caused by temperature change is small when actually using it.

*Performance and specification may revised without prior notice, in accordance to meet the engineering development. It is recommended to confirm the most updated specification before designing.

Updated Feb 2016